



MODVINO

FINISH OPTIONS



Copper Gold

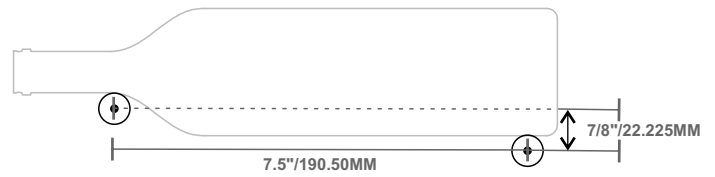


Brushed Aluminum

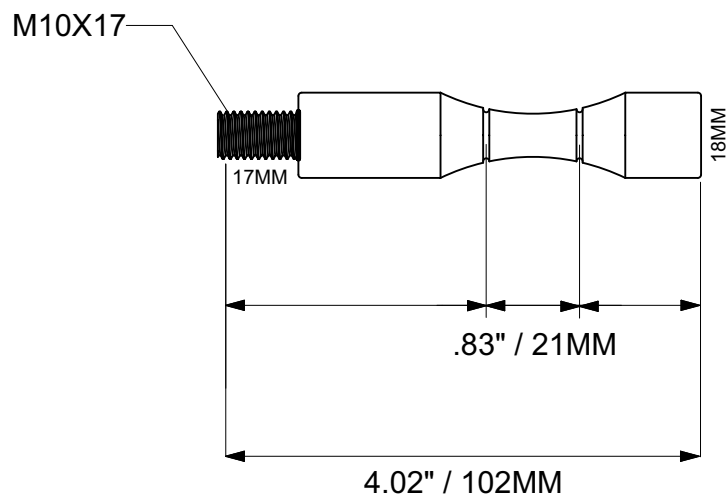
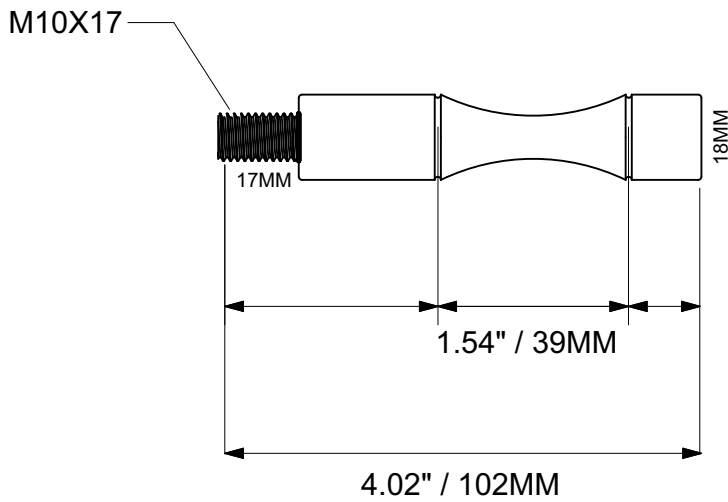


Matte Black

LAYOUT DIMENSIONS



ONE BOTTLE



374 East H St. Suite A-15
Chula Vista, CA 91910

☎ Phone: +1 (619) 409-2536



MODVINO

FINISH OPTIONS



Copper Gold

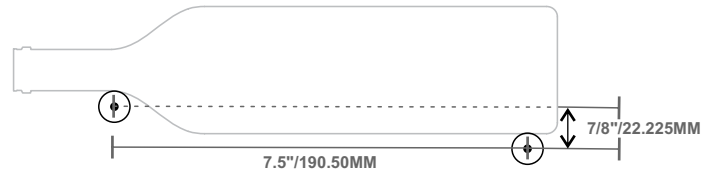


Brushed Aluminum

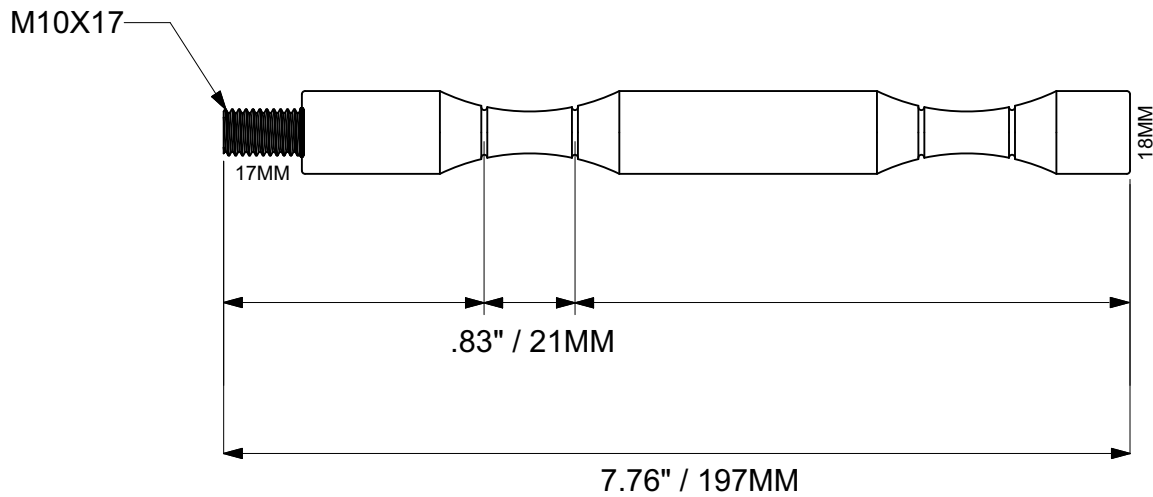
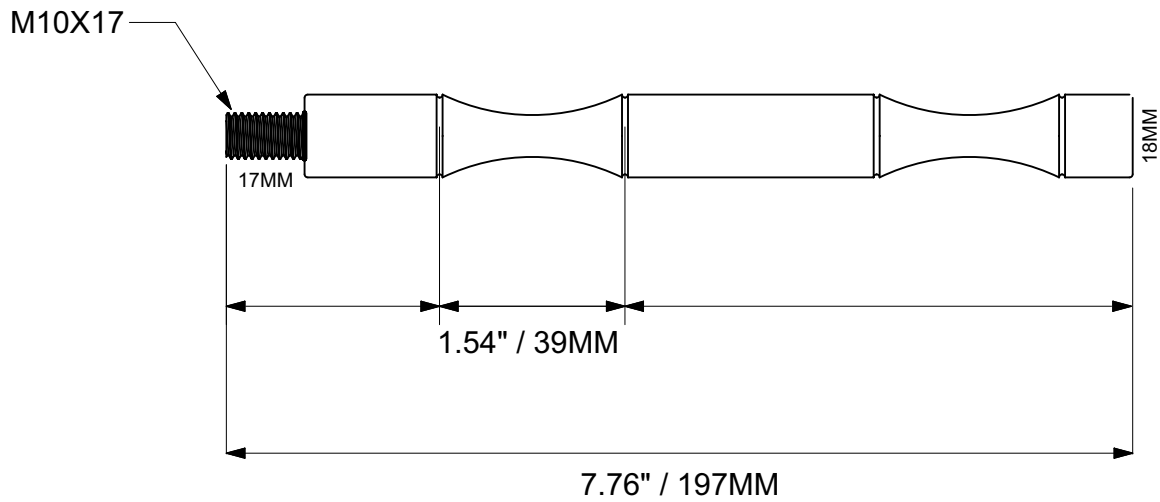


Matte Black

LAYOUT DIMENSIONS



TWO BOTTLE



374 East H St. Suite A-15
Chula Vista, CA 91910

☎ Phone: +1 (619) 409-2536



MODVINO

FINISH OPTIONS



Copper Gold

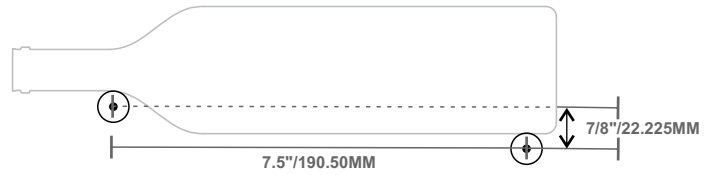


Brushed Aluminum

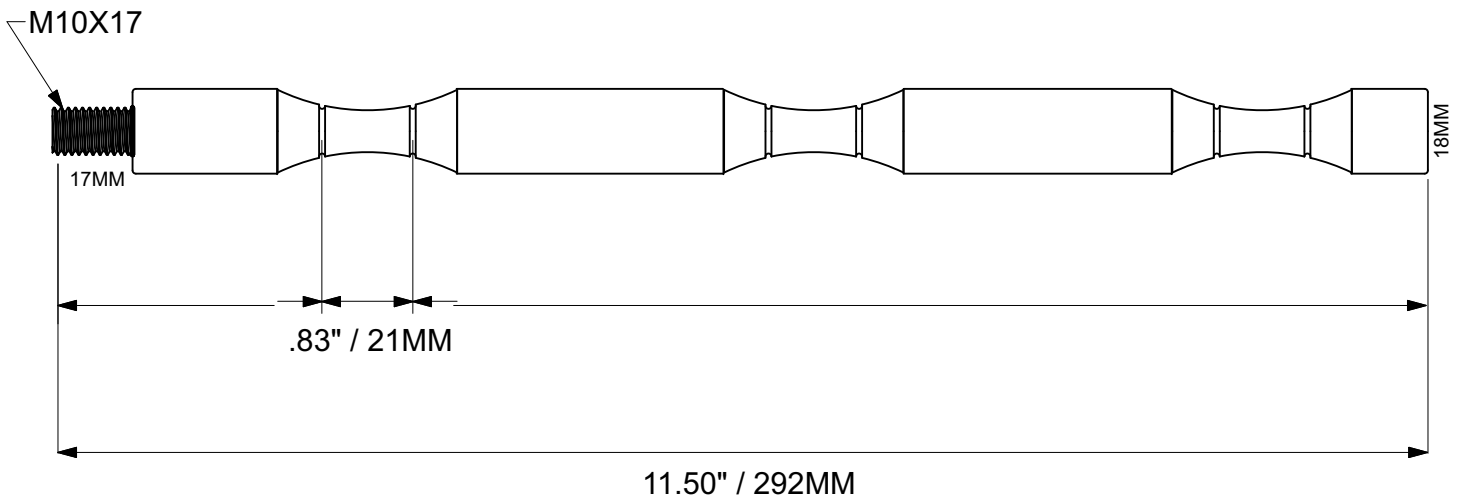
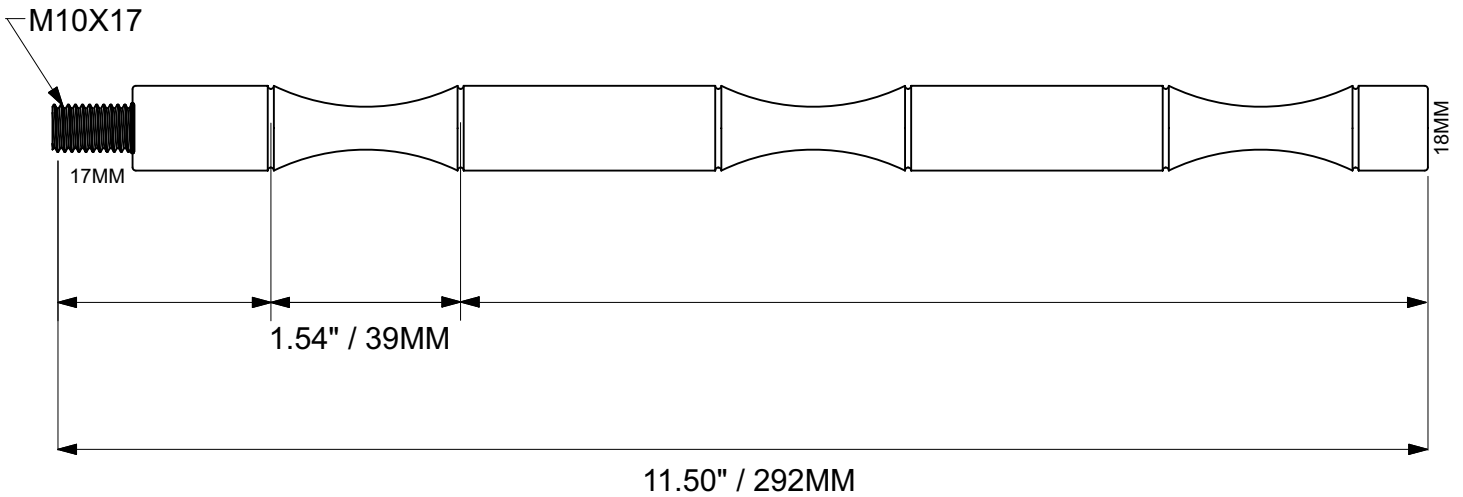


Matte Black

LAYOUT DIMENSIONS



THREE BOTTLE



374 East H St. Suite A-15
Chula Vista, CA 91910

Phone: +1 (619) 409-2536



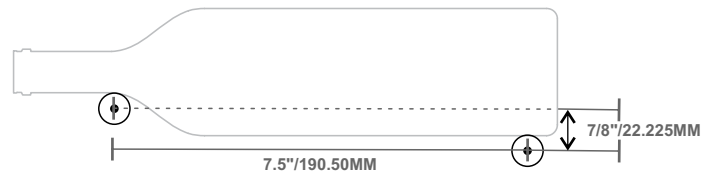
MODVINO

FINISH OPTIONS

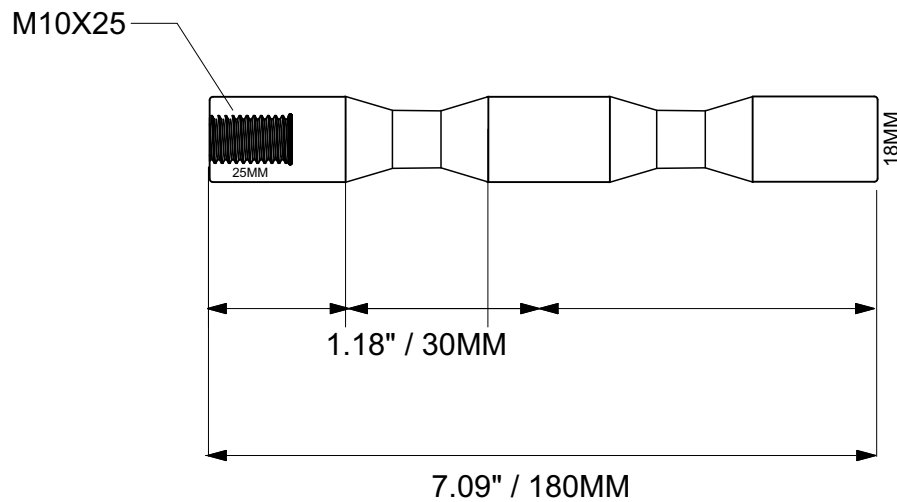
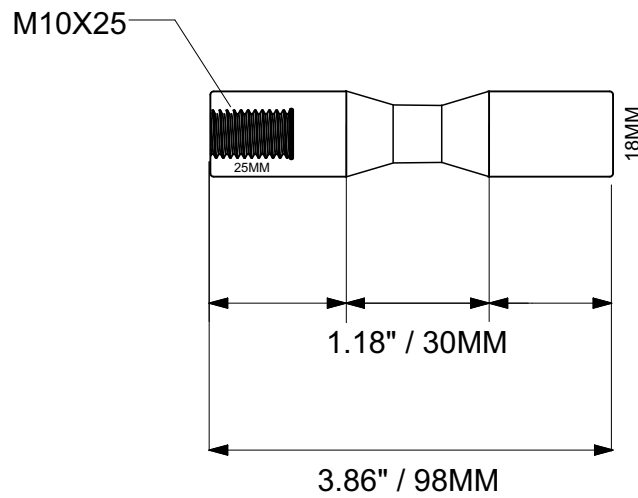


Acrylic

LAYOUT DIMENSIONS



ONE / TWO BOTTLE



374 East H St. Suite A-15
Chula Vista, CA 91910

Phone: +1 (619) 409-2536